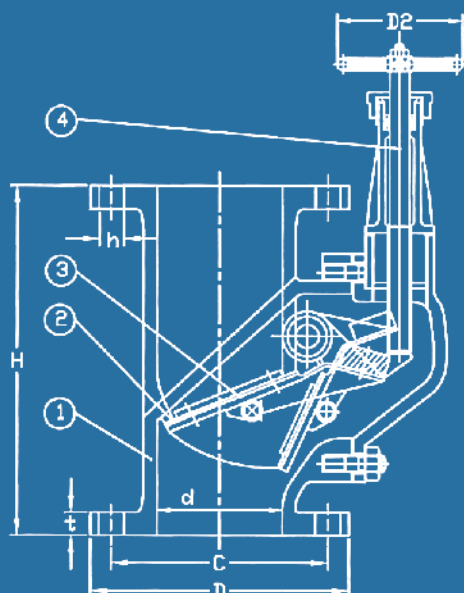


TECHNICAL DATA

STORM VALVE - VERTICAL CAST STEEL - 5K



TEST PRESSURE (kgf/m²)

Nominal Dia	JIS 5K
50 to 200	5.1

DIMENSIONS

Rating	size (mm)	H (mm)	D (mm)	C (mm)	No.	h (mm)	t (mm)	L1 (mm)	D2 (kg)	Weight
JIS 5K	050	210	130	105	4	15	16	-	100	11.5
(JIS F730595K)	065	240	155	130	4	15	18	-	100	16.5
	080	260	180	145	4	19	18	-	125	21.6
	100	280	200	165	8	19	20	-	125	29.6
	125	330	235	200	8	19	20	-	125	43.6
	150	360	265	230	8	19	22	-	125	51.6
	200	459	320	280	8	23	24	-	125	106.5

TECHNICAL FEATURES

body	cast steel
bonnet	cast steel
disc	bronze
disc lever	bronze
weight	lead
bushing	bronze
nut	bronze
gland	bronze
spindle	brass
plug	brass
stud bolt & nut	brass
screw & nut	brass
pin	brass
packing	neoprone
plate	bronze/brass plate
screw & nut	brass
gasket	NON asbestos
handwheel	cast iron
name plate	brass
handle nut	brass
split pin	brass wire



www.wosupply.com