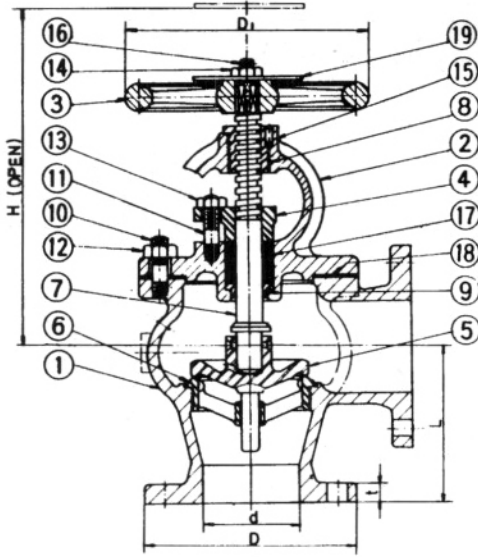




**JIS OG ANSI VENTILER
JIS AND ANSI VALVES**

**JIS F 7472
JIS F 7474**

Marine Cast Steel 10kg/cm² Screw-Down Check Angle Valves



Dimensions

Unit : mm

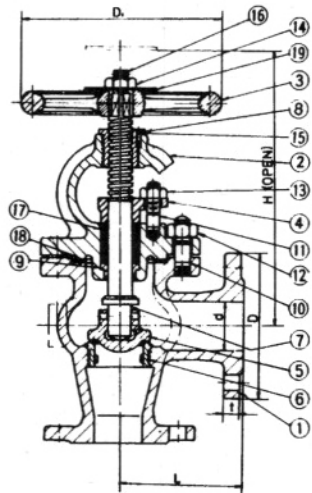
SIZE	H	D	d	D ₁	t	L
50	235	155	50	160	16	120
65	250	175	65	200	18	130
80	255	185	80	200	18	140
100	290	210	100	250	18	160
125	340	250	125	280	20	180
150	385	280	150	315	22	205
200	460	330	200	355	22	230

WORKING PRESSURE		10 kg / cm ²	
TEST PRESSURE	BODY	21 kg / cm ²	
	SEAT	INLET SIDE	15.4 kg / cm ²
		OUTLET SIDE	15.4 kg / cm ² TO 4 kg / cm ²

FLUID CONDITION	MAX. WORKING PRESSURE (kg / cm ²)
STEAM OF 300°C	10
STEAM OF 220°C AND UNDER	12
AIR, GAS, OIL AND PULSATION WATER	
NON-SHOCK WATER OF 120°C AND UNDER	14

NO	PARTS	MATERIAL
1	BODY	CAST STEEL
2	BONNET	CAST STEEL
3	HAND WHEEL	CAST IRON
4	PACKING GLAND	BRONZE
5	DISC	STAINLESS STEEL
6	SEAT RING	STAINLESS STEEL
7	STEM	STAINLESS STEEL
8	YOKE SLEEVE	BRASS
9	PACKING RING	STAINLESS STEEL
10	BOLT	ROLLED STEEL
11	BOLT	ROLLED STEEL OR BRASS
12	NUT	ROLLED STEEL OR BRASS
13	NUT	ROLLED STEEL OR BRASS
14	NUT	BRASS
15	SET SCREW	ROLLED STEEL
16	SPLIT PIN	BRASS WIRE
17	PACKING	ASBESTOS
18	GASKET	ASBESTOS
19	NAME PLATE	BRASS PLATE

Marine Cast Steel 20kg/cm² Screw-Down Check Angle Valves



Dimensions

Unit : mm

SIZE	H	D	d	D ₁	t	L
32	240	135	32	160	18	100
40	255	140	40	160	18	110
50	270	155	50	200	18	125
65	295	175	65	224	20	135
80	325	200	80	250	22	150
90	354	210	90	280	24	160
100	365	225	100	280	24	170
125	415	270	125	315	26	200
150	460	305	150	355	28	225
200	520	350	200	450	30	280
250	595	430	250	560	34	310

WORKING PRESSURE		20 kg / cm ²	
TEST PRESSURE	BODY	51 kg / cm ²	
	SEAT	INLET SIDE	37.4 kg / cm ²
		OUTLET SIDE	37.4 kg / cm ² TO 10 kg / cm ²

FLUID CONDITION	MAXIMUM WORKING PRESSURE
STEAM OF 350°C	26
STEAM OF 300°C	29
STEAM OF 220°C AND UNDER AIR, GAS, OIL AND PULSATION WATER	31
NON-SHOCK WATER OF 120°C AND UNDER	34

NO	PARTS	MATERIAL
1	BODY	CAST STEEL
2	BONNET	CAST STEEL
3	HAND WHEEL	CAST IRON (CBELOW 150mm) CAST STEEL (BOVE 200mm)
4	PACKING GLAND	BRONZE
5	DISC	STAINLESS STEEL
6	SEAT RING	STAINLESS STEEL
7	STEM	STAINLESS STEEL
8	YOKE SLEEVE	BRASS
9	PACKING RING	STAINLESS STEEL
10	BOLT	CARBON STEEL
11	BOLT	ROLLED STEEL
12	NUT	CARBON STEEL
13	NUT	ROLLED STEEL
14	NUT	BRASS
15	SET SCREW	ROLLED STEEL
16	SPLIT PIN	BRASS WIRE
17	PACKING	ASBESTOS
18	GASKET	ASBESTOS
19	NAME PLATE	BRASS PLATE