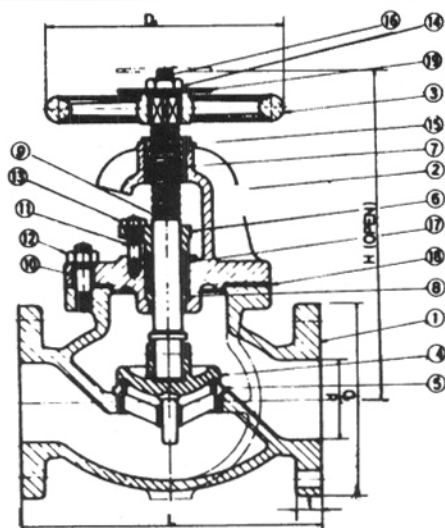




# JIS OG ANSI VENTILER JIS AND ANSI VALVES

JIS F 7377  
JIS F 7354

## Marine Cast Iron 16kg/cm<sup>2</sup> Screw-Down Check Globe Valves



Dimensions Unit: mm

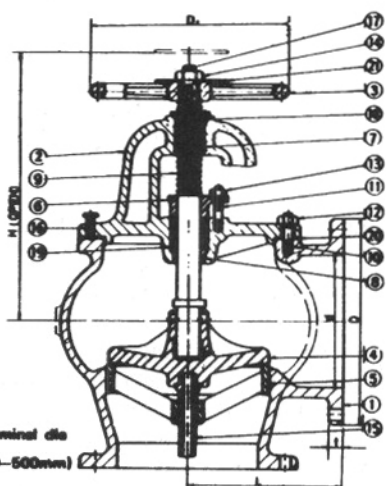
SIZE	H	D	t	L
50	285	155	20	220
65	305	175	22	270
80	335	200	24	300
100	375	225	26	350
125	440	270	26	430
150	500	305	28	500

WORKING PRESSURE	16 kg/cm <sup>2</sup>	
TEST PRESSURE	BODY	33.0 kg/cm <sup>2</sup>
	SEAT	24.2 kg/cm <sup>2</sup>

NO	PARTS	MATERIAL
1	BODY	CAST IRON
2	BONNET	CAST IRON
3	HANDWHEEL	CAST IRON
4	DISC	BRONZE OR STAINLESS STEEL
5	SEAT RING	BRONZE OR STAINLESS STEEL
6	PACKING GLAND	BRONZE
7	YOKE BUSHING	BRONZE
8	BONNET BUSHING	BRONZE AND STAINLESS STEEL
9	STEM	BRASS AND STAINLESS STEEL
10	BONNET STUD BOLT	ROLLED STEEL
11	GLAND BOLT	BRASS GLAND
12	BONNET NUT	ROLLED STEEL
13	GLAND NUT	BRASS
14	HANDWHEEL NUT	BRASS
15	SET SCREW	ROLLED STEEL
16	SPLIT PIN	BRASS
17	PACKING	GRAPHITED ASBESTOS
18	GASKET	ASBESTOS
19	NAME PLATE	BRASS

CONDITION OF FLUID	MAXIMUM WORKING PRESSURE (kg/cm <sup>2</sup> )	
	"B" GROUP	"S" GROUP
STEAM OF 230°C AND UNDER	16	16
STEAM OF 205°C AND UNDER		
AIR, GAS, OIL AND PULSATION WATER	16	
NON-SHOCK WATER 120°C AND UNDER	22	

## Marine Cast Iron 5kg/cm<sup>2</sup> Screw-Down Check Angle Valves



(Nominal dia  
250-500mm)

Dimensions Unit: mm

SIZE	H	D	d	D <sub>1</sub>	t	L
250	510	385	250	395	26	275
300	585	430	300	455	28	310
350	660	480	335	515	30	360
400	730	540	380	570	30	395
450	835	605	430	635	30	440
500	915	655	480	700	32	485

NOMINAL DIA(mm)	TEST PRESSURE(kg/cm <sup>2</sup> )	
	SEAT	BODY
300 AND UNDER	7.7	10.5
350, 400	6.6	9.0
450, 500	5.5	7.5

NO	PARTS	MATERIAL
1	BODY	CAST IRON
2	BONNET	CAST IRON
3	HANDWHEEL	CAST IRON
4	DISC	BRONZE
5	SEAT RING	BRONZE
6	PACKING GLAND	BRONZE
7	YOKE BUSHING	BRONZE
8	BONNET BUSHING	BRONZE
9	STEM	BRASS
10	BONNET STUD BOLT	ROLLED STEEL
11	GLAND BOLT	BRASS
12	BONNET NUT	ROLLED STEEL
13	GLAND NUT	BRASS
14	HANDWHEEL NUT	BRASS
15	DISC GUIDE	BRONZE
16	BOLT	BRASS
17	SPLIT PIN	BRASS
18	SET SCREW	ROLLED STEEL
19	PACKING	GRAPHITED ASBESTOS
20	GASKET	ASBESTOS
21	NAME PLATE	BRASS

CONDITION OF FLUID	MAXIMUM WORKING PRESSURE (kg/cm <sup>2</sup> )			
	NOMINAL DIA 200mm AND UNDER		250-300mm	350-400mm
	"B" GROUP	"S" GROUP	"B" GROUP	
STEAM OF 230°C AND UNDER	5	5	-	-
STEAM OF 205°C AND UNDER				
AIR AND GAS	5		5	4
OIL AND PULSATION WATER				
NON-SHOCK WATER 120°C AND UNDER	7		6	5