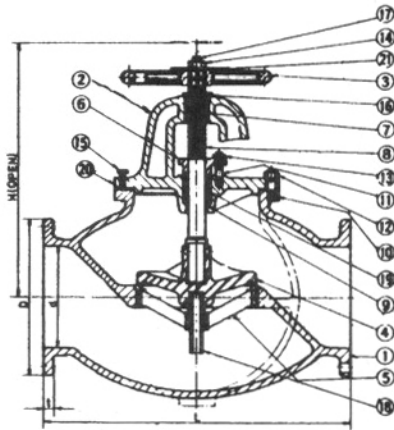




JIS OG ANSI VENTILER JIS AND ANSI VALVES

JIS F 7353
JIS F 7375

Marine Cast Iron 5kg/cm² Screw-Down Check Globe Valves



Dimensions Unit: mm

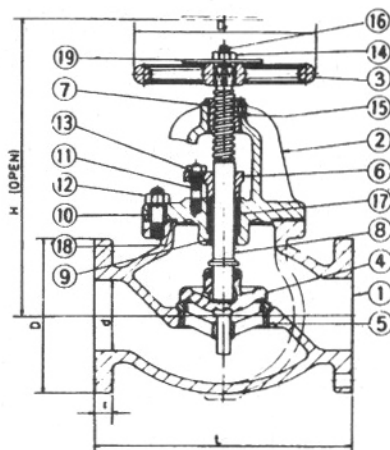
SIZE	H	D	L	t
50	270	130	210	16
65	290	155	250	18
80	300	180	280	18
100	350	200	340	20
125	380	235	410	20
150	430	265	480	22
200	505	320	570	24

WORKING PRESSURE	5 kg/cm ²	
TEST PRESSURE	BODY	10.5 kg/cm ²
	SEAT	7.7-4 kg/cm ²

CONDITION OF FLUID	MAXIMUM WORKING PRESSURE (kg/cm ²)		
	NOMINAL DIA 200mm AND UNDER		NOMINAL DIA 250mm
	"B" GROUP	"S" GROUP	
STEAM OF 230°C AND UNDER		5	
STEAM OF 205°C AND UNDER	5		
AIR, GAS, OIL AND PULSATION WATER			5
NON-SHOCK WATER 120°C AND UNDER			7

NO	PARTS	MATERIAL
1	BODY	CAST IRON
2	BONNET	CAST IRON
3	HANDWHEEL	CAST IRON
4	DISC	BRONZE
5	SEAT RING	BRONZE
6	PACKING GLAND	BRONZE
7	YOKE BUSHING	BRONZE
8	STEM	BRASS OR STAINLESS STEEL
9	BONNET BUSHING	BRASS
10	BONNET STUD BOLT	ROLLED STEEL
11	GLAND BOLT	BRASS
12	BONNET STUD NUT	ROLLED STEEL
13	GLAND NUT	BRASS
14	HANDWHEEL NUT	BRASS
15	BOLT	BRASS
16	SET SCREW	ROLLED STEEL
17	SPLIT PIN	BRASS
18	DISC GUIDE	BRONZE
19	PACKING	GRAPHITED ASBESTOS
20	GASKET	ASBESTOS
21	NAME PLATE	BRASS

Marine Cast Iron 10kg/cm² Screw-Down Check Globe Valves



Dimensions Unit: mm

SIZE	H	D	d	D ₁	t	L
50	285	155	50	155	20	220
65	305	175	65	175	22	270
80	315	185	80	190	22	300
100	360	210	100	215	24	350
125	410	250	125	260	24	420
150	455	280	150	285	26	490
200	530	330	200	335	26	570

WORKING PRESSURE	10 kg/cm ²	
TEST PRESSURE	BODY	21 kg/cm ²
	SEAT	15.4 kg/cm ²

CONDITION OF FLUID	MAXIMUM WORKING PRESSURE (kg/cm ²)	
	"B" GROUP	"S" GROUP
	STEAM OF 205°C AND UNDER	
STEAM OF 230°C AND UNDER	10	
AIR, GAS, OIL AND PULSATION WATER		10
NON-SHOCK WATER OF 120°C AND UNDER		14

NO	PARTS	MATERIAL
1	BODY	CAST IRON
2	BONNET	CAST IRON
3	HANDWHEEL	CAST IRON
4	DISC	BRONZE OR STAINLESS STEEL
5	SEAT RING	BRONZE OR STAINLESS STEEL
6	PACKING GLAND	BRONZE
7	YOKE BUSHING	BRONZE
8	STEM	BRASS OR STAINLESS STEEL
9	BONNET BUSHING	BRONZE OR STAINLESS STEEL
10	BONNET STUD BOLT	ROLLED STEEL
11	GLAND BOLT	BRASS
12	BONNET STUD NUT	ROLLED STEEL
13	GLAND NUT	BRASS
14	HANDWHEEL NUT	BRASS
15	SET SCREW	ROLLED STEEL
16	SPLIT PIN	BRASS
17	PACKING	GRAPHITED ASBESTOS
18	GASKET	ASBESTOS
19	NAME PLATE	BRASS