



JIS OG ANSI VENTILER JIS AND ANSI VALVES

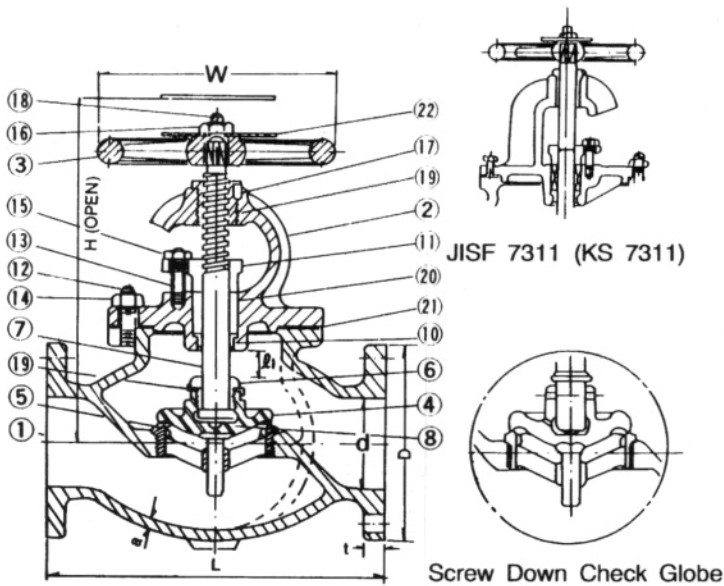
JIS F 7311
JIS F 7319
JIS F 7313

Marine Cast Steel 5kg/cm² Globe Valves

Marine Cast Steel 10kg/cm² Globe Valves

Marine Cast Steel 20kg/cm² Globe Valves

Bolted Bonnet Rising Stem Renewable Seat Flanged Ends.



NO	PARTS	MATERIAL
1	BODY	CAST STEEL
2	BONNET	CAST STEEL
3	HAND WHEEL	CAST IRON
4	DISC	BRONZE OR STAINLESS STEEL
5	BODY SEAT	BRONZE OR STAINLESS STEEL
6	DISC GLAND	BRONZE OR STAINLESS STEEL
7	STEM	BRASS OR STAINLESS STEEL
8	WHASER	ALLOY TOOL STEEL
9	BUSH	BRONZE
10	PACKING RING	BRONZE OR STAINLESS STEEL
11	PACKING GLAND	BRONZE
12	BONNET BOLT	ROLLED STEEL
13	PACKING GLAND BOLT	ROLLED STEEL
14	BONNET NUT	ROLLED STEEL
15	PACKING GLAND NUT	ROLLED
16	HANDLE NUT	BRASS
17	SET SCREW	ROLLED STEEL
18	SPLIT PIN	BRASS WIRE
19	DISC STOPPER	BRASS PLATE OR STAINLESS STEEL
20	PACKING	ASBESTOS
21	GASKET	ASBESTOS
22	NAME PLATE	BRASS PLATE

Fluid Condition & Max. Working Pressure (kgf/cm²)

Fluid condition	Rating	Max. Working Pressure				
		5	10	20		
Steam 400°C				23		
Steam 350°C				26		
Steam 300°C				29		
Steam up to 220°C	5	12	31	31		
Air, Gas, Oil and Pulsation Water				7	14	34
Non-Shock Water up to 120°C						

*Without Air, Gas.

Test Pressure (kgf/cm²)

Rating	5	10	20
Shell Hydraulic Test	10.5	21.0	51.0
Seat Hydraulic Test	7.7	15.4	37.4

Dimension Table (Unit : mm, Weight : kg)

	SIZE	50	65	80	100	125	150	200	250	300
		d	50	65	80	100	125	150	200	250
5kgf/cm ² JIS F 7311 (up to size 200 KS 7311)	L	210	250	280	340	410	480	570	740	840
	a	8	9	9	10	11	12	15	17	18
	H	270	300	310	360	390	445	530	795	930
	W	160	180	180	224	250	280	315	355	400
	⌀	17	22	27	33	42	50	67	138	165
	Weight I	16.2	23.4	30	45	63	88	153	230	309
10kgf/cm ² JIS F 7319	d	50	65	80	100	125	150	200	250	300
	L	220	270	300	350	420	490	570	740	840
	a	8	9	9	11	12	13	15	16	17
	H	270	300	310	355	415	470	565	645	735
	W	160	200	200	250	280	315	355	400	450
	⌀	17	22	27	33	42	50	67	83	100
	Weight I	17.9	26.0	29.8	44.7	70.3	96.4	159	257	370
20kgf/cm ² JIS F 7313	d	50	65	80	100	125	150	200	250	
	L	230	270	300	350	430	500	560	660	
	a	9	10	11	13	14	16	17	19	
	H	305	345	385	440	500	550	630	725	
	W	200	224	250	280	315	365	450	560	
	⌀	24	30	35	43	52	61	68	83	
	Weight I	21.6	30.4	43.5	62.3	94.8	132	204	336	

Remarks : 1. The flanges shall conform to 5kgf/cm² of JIS B2211, 10kgf/cm² of JIS B 2212 and 20kgf/cm² JIS B2214.

2. The name plate shall be specified by purchaser as required.

3. JIS F7313 20kgf/cm² for Flanged shall be Made Raised Facing.

4. Nominal size below 200 of JIS F7311 is KS standard.

5. The calculated mass are of values in class "S".