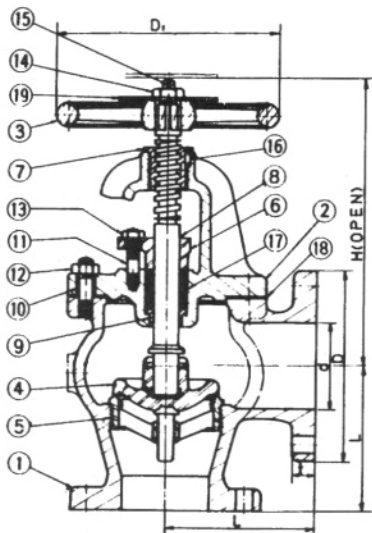




JIS OG ANSI VENTILER JIS AND ANSI VALVES

JIS F 7376
JIS F 7378

Marine Cast Iron 10kg/cm² Screw-Down Check Angle Valves



Dimensions

Unit : mm

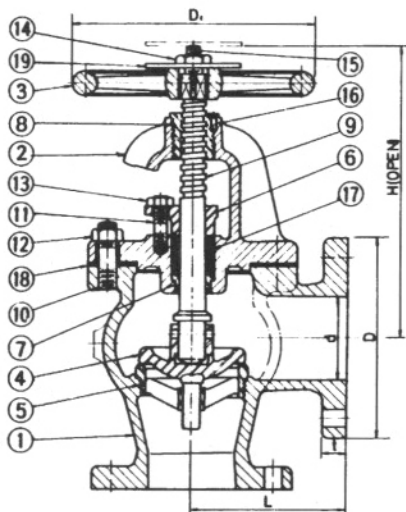
SIZE	H	D	d	D ₁	t	L
50	225	155	50	160	20	120
65	260	175	65	200	22	130
80	270	185	80	200	22	140
100	305	210	100	250	24	160
125	350	250	125	280	24	180
150	390	280	150	315	26	205
200	450	330	200	355	26	230

WORKING PRESSURE		10 kg / cm ²
TEST PRESSURE	BODY	21.0 kg / cm ²
	SEAT	151.4 kg / cm ²

NO	PARTS	MATERIAL
1	BODY	CAST IRON
2	BONNET	CAST IRON
3	HANDWHEEL	CAST IRON
4	DISC	BRONZE OR STAINLESS STEEL
5	SEAT RING	BRONZE OR STAINLESS STEEL
6	PACKING GLAND	BRONZE
7	YOKE BUSHING	BRONZE
8	STEM	BRASS
9	BONNET BUSHING	BRONZE OR STAINLESS STEEL
10	BONNET STUD BOLT	ROLLED STEEL
11	GLAND BOLT	BRASS OR STAINLESS STEEL
12	BONNET STUD NUT	ROLLED STEEL
13	GLAND NUT	BRASS
14	HANDWHEEL NUT	BRASS
15	SPLIT PIN	BRASS
16	SET SCREW	ROLLED STEEL
17	PACKING	GRAPHITED ASBESTOS
18	GASKET	ASBESTOS
19	NAME PLATE	BRASS

CONDITION OF FLUID	MAXIMUM WORKING PRESSURE (kg/cm ²)	
	"B" GROUP	"S" GROUP
STEAM OF 230°C AND UNDER	10	10
STEAM OF 205°C AND UNDER		
AIR,GAS,OIL AND PULSATION WATER	10	
NON-SHOCK WATER 120°C AND UNDER	22	

Marine Cast Iron 16kg/cm² Screw-Down Check Angle Valves



Dimensions

Unit : mm

SIZE	H	D	d	D ₁	t	L
50	225	155	50	160	20	120
66	260	175	65	200	22	130
80	290	200	80	224	24	150
100	320	225	100	250	26	170
125	375	270	125	315	26	200
150	425	305	150	355	28	225

WORKING PRESSURE		16 kg / cm ²
TEST PRESSURE	BODY	33.0 kg / cm ²
	SEAT	24.2 kg / cm ²

NO	PARTS	MATERIAL
1	BODY	CAST IRON
2	BONNET	CAST IRON
3	HANDWHEEL	CAST IRON
4	DISC	BRONZE OR STAINLESS STEEL
5	SEAT RING	BRONZE OR STAINLESS STEEL
6	PACKING GLAND	BRONZE
7	BONNET BUSHING	BRONZE OR STAINLESS STEEL
8	YOKE BUSHING	BRONZE
9	STEM	BRASS OR STAINLESS STEEL
10	BONNET STUD BOLT	ROLLED STEEL
11	GLAND BOLT	BRASS
12	BONNET STUD NUT	ROLLED STEEL
13	GLAND NUT	BRASS
14	HANDWHEEL NUT	BRASS
15	SPLIT PIN	BRASS
16	SET SCREW	ROLLED STEEL
17	PACKING	GRAPHITED ASBESTOS
18	GASKET	ASBESTOS
19	NAME PLATE	BRASS

CONDITION OF FLUID	MAXIMUM WORKING PRESSURE (kg/cm ²)	
	"B" GROUP	"S" GROUP
STEAM OF 230°C AND UNDER	16	16
STEAM OF 205°C AND UNDER		
AIR,GAS,OIL AND PULSATION WATER	16	
NON-SHOCK OF 120°C AND UNDER	22	